

Plug In SpeedDelight with adjustable tube, ribbed removable teflon plate with UK Plug

ITEM # _____

MODEL # _____

NAME # _____

SIS # _____

AIA # _____


603878 (HSG2RPRSEI)

 SpeedDelight with manual
Adjustable Top ribbed
Contact Plate, dark grey
(UK plug)

Short Form Specification

Item No.

Lid and top plate constructed in 304 AISI stainless steel and with external high-grade composite material paneling and handle. Possibility to manually adjust the maximum movement of the upper plate. Back cover and side panels in 304 AISI stainless steel and bottom in AISI 430 stainless steel. Ribbed top contact plate (215 x 215 mm) in aluminum with non-stick coating. Can accept snacks from 10 to 75 mm thick. Smooth 4 mm thick quartz glass bottom cooking surface (250 x 250 mm). 2 probes independently control the temperature of the top and bottom plates (50 to 250°C). Automatic lid holding and opening system. Automatic lifting of the lid at the end of the cooking cycle via mechanical spring. Electronic control with digital 4,3" LED display, countdown display and buzzer at the end of the cycle. 800 W heating element on the top plate and 800 W electrical armored heating elements on the bottom plate. 2 x 1050 W magnetrons for microwaves. Front air inlet and back outlet for efficient cooling ventilation. Ergonomic handle in high-grade composite material for easy movement of the lid. Removable top front panel and dismountable top cooking plate for better cleanability.

8 preloaded programs (editable): P1 = 70 sec. (12 sec. MW) P2 = 80 sec. (12 sec. MW) P3 = 60 sec. (20 sec. MW) P4 = 75 sec. (20 sec. MW) P5 = 85 sec. (25 sec. MW) P6 = 85 sec. (18 sec. MW) P7 = 30 sec. (25 sec. MW) P8 = 12 sec. (no MW) With Top temperature = 249° C and bottom temperature = 220° C

Main Features

- It combines 3 cooking technologies: contact, infrared radiation and microwaves to provide perfectly cooked food, heated to the core.
- The Energy Saving Mode automatically switches to stand-by after an amount of time settled by the operator (from 1 to 60 minutes).
- Delivered with USB port and wi-fi connection to optimize workflows allowing local and remote interaction (temperatures, countdowns, warnings).
- Electronic control with digital 4.3" LED display with adjustable brightness.
- Countdown display and buzzer with adjustable volume at the end of the cycle.
- Automatic mechanical lid holding and opening system controlled.
- IPx4 water protection.
- Ergonomic handle for easy movement of the lid.
- Compliant with Regulation (EC) No 1935/2004 and its amendments, Regulation (EC) No 2023/2006 and its amendments.
- Manually adjustable upper plate to heat food up to a minimum height.
- 8 pre-loaded programs (editable):
 - P1 = 70 sec. (12 sec. MW)
 - P2 = 80 sec. (12 sec. MW)
 - P3 = 60 sec. (20 sec. MW)
 - P4 = 75 sec. (20 sec. MW)
 - P5 = 85 sec. (25 sec. MW)
 - P6 = 85 sec. (18 sec. MW)
 - P7 = 30 sec. (25 sec. MW)
 - P8 = 12 sec. (no MW)
 With Top temperature = 249° C and bottom temperature = 220° C
- Connectivity ready for real time access to connected appliances from remote and data monitoring (requires optional accessory - contact the Company for more details).

APPROVAL: _____



Construction

- 2 temperature probes for an independent control of the top and bottom plate temperature.
- Aluminum ribbed top contact plate (215 x 215 mm) treated with a special non-stick coating.
- Smooth 4 mm thick quartz glass bottom cooking surface (250 x 250 mm).
- Automatic lifting of the lid at the end of the cooking cycle via mechanical spring.
- Lid, back cover and bottom all in AISI 304 S/S.
- Lid covers, handle and side panels in high-grade reinforced composite material.
- 800W heating element on the top plate.
- 800W electrical armored heating element on the bottom plate.
- 2 x 1050W magnetrons for microwave.
- Front air inlet and back outlet for efficient cooling ventilation allows easy air filters removal and side by side installation.
- Delivered with IEC 309 2P+E IP44 200/250V 32A plug.
- Independent temperature setting of the top and bottom plates from 50 to 250 °C.

Included Accessories

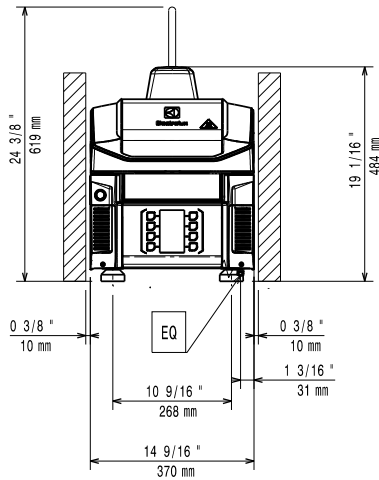
- 1 of Glass saver for SpeeDelight PNC 653527
- 1 of Cleaning brush for SpeeDelight PNC 653623
- 1 of Spatula for SpeeDelight PNC 653625
- 1 of 4 rubber feet - Height = 26 mm for SpeeDelight PNC 653792

Optional Accessories

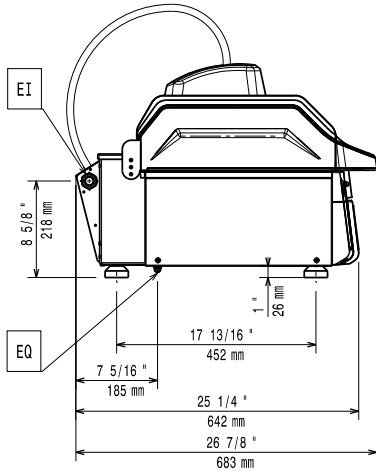
- Glass saver for SpeeDelight PNC 653527
- Cleaning brush for SpeeDelight PNC 653623
- Spatula for SpeeDelight PNC 653625
- Spray bottle (0,5lt) for detergent - SpeeDelight PNC 653695
- Removable ribbed teflon plate for SpeeDelight PNC 653787
- 4 stainless steel feet - Height = 76 mm for SpeeDelight PNC 653791
- 4 rubber feet - Height = 40 mm for SpeeDelight PNC 653793
- Connectivity services hub (router) PNC 922697
- Connectivity services hub (router for sim card) PNC 922705



Front

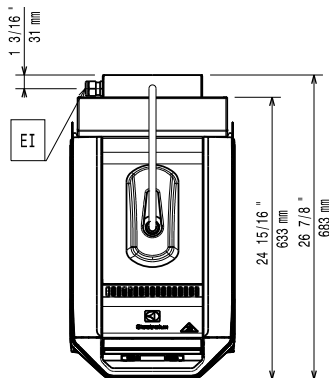


Side



EI = Electrical inlet (power)
 EO = Electrical Outlet

Top



Electric

Supply voltage:
 603878 (HSG2RPRSE1) 220-230 V/1 ph/50 Hz
 Rated amps: 22 A
 Total Watts: 5 kW

Installation:

Clearance: 190mm from rear vertical panel

Key Information:

External dimensions, Width: 370 mm
 External dimensions, Height: 619 mm
 External dimensions, Depth: 683 mm
 Net weight: 47 kg
 Shipping weight: 60 kg
 Shipping height: 700 mm
 Shipping width: 450 mm
 Shipping depth: 760 mm
 Shipping volume: 0.24 m³